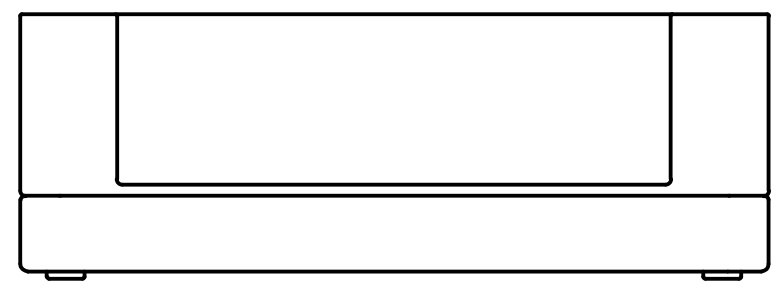
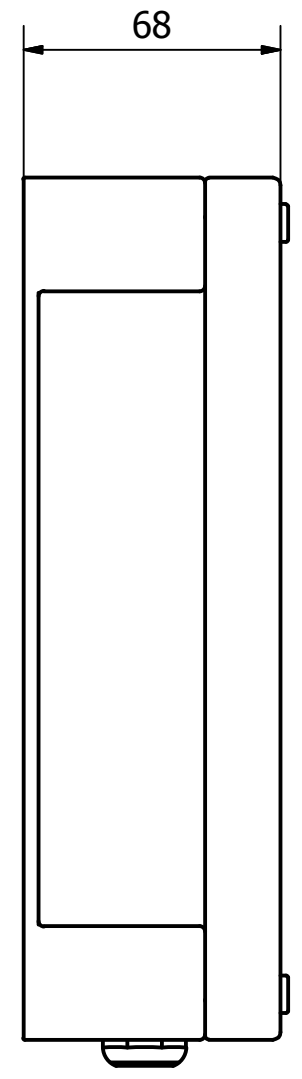
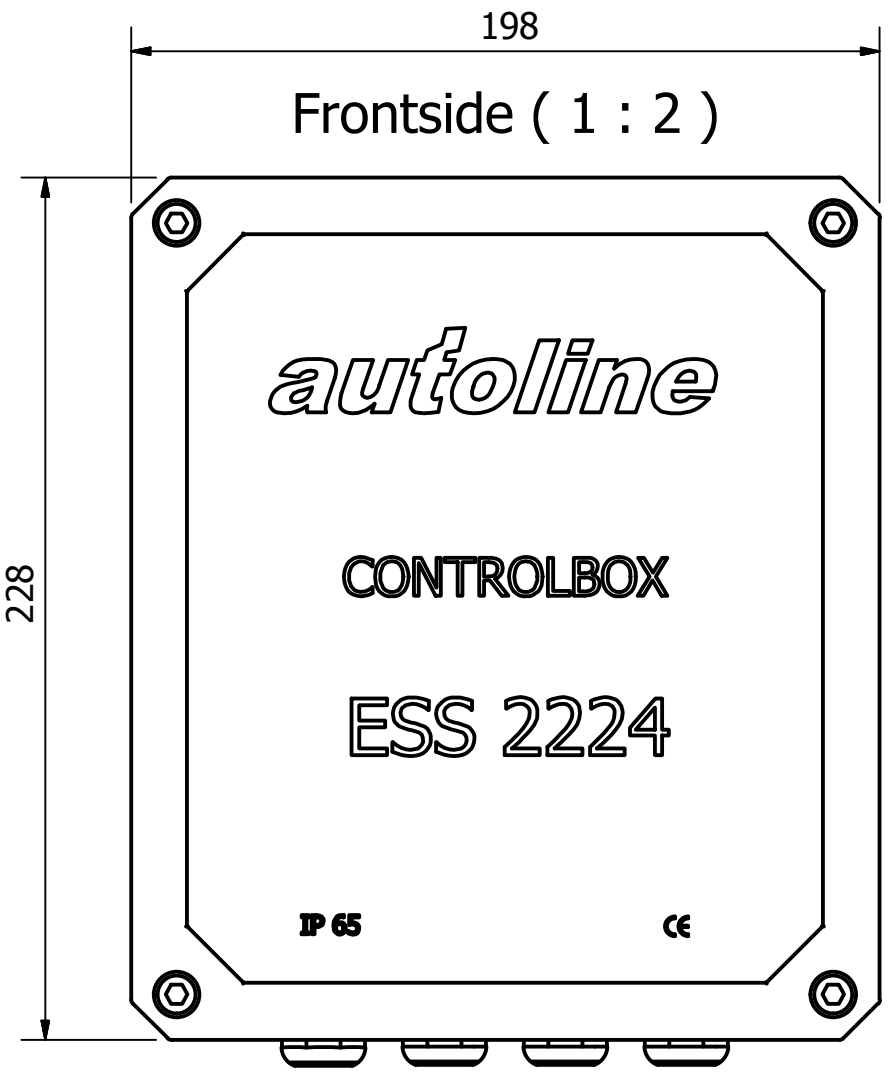
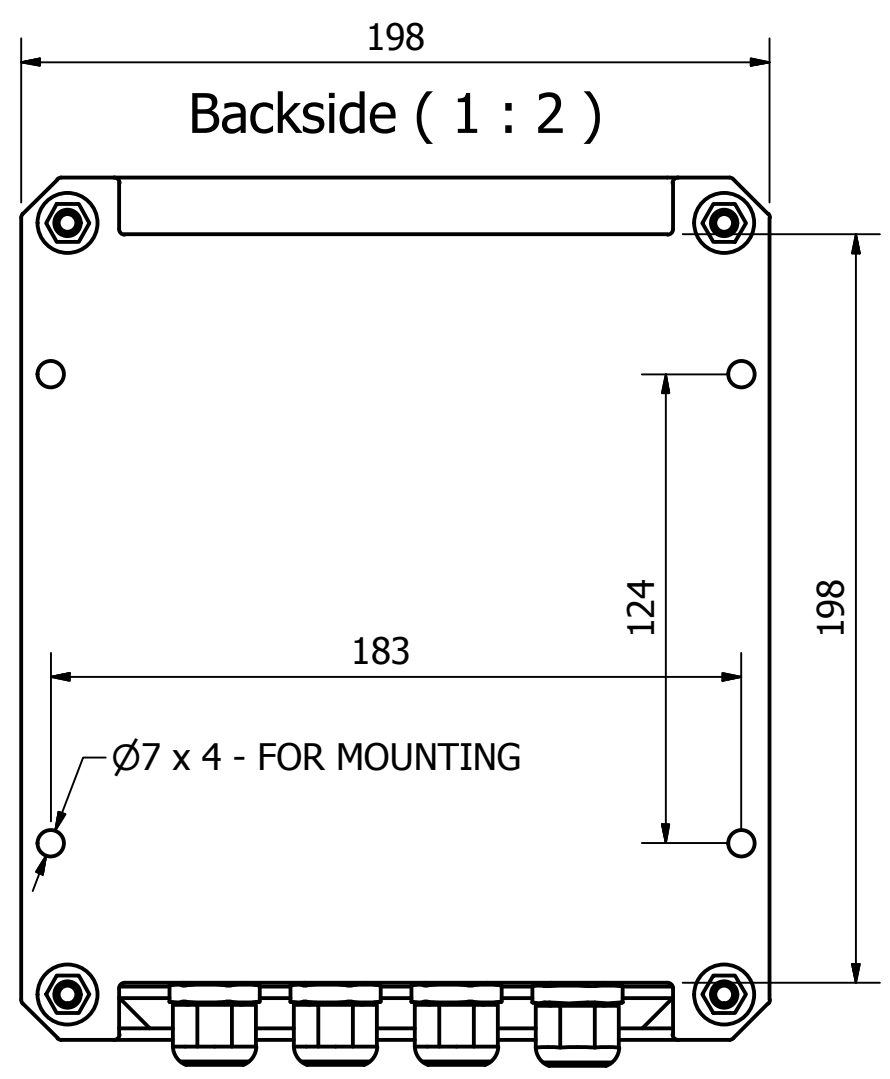
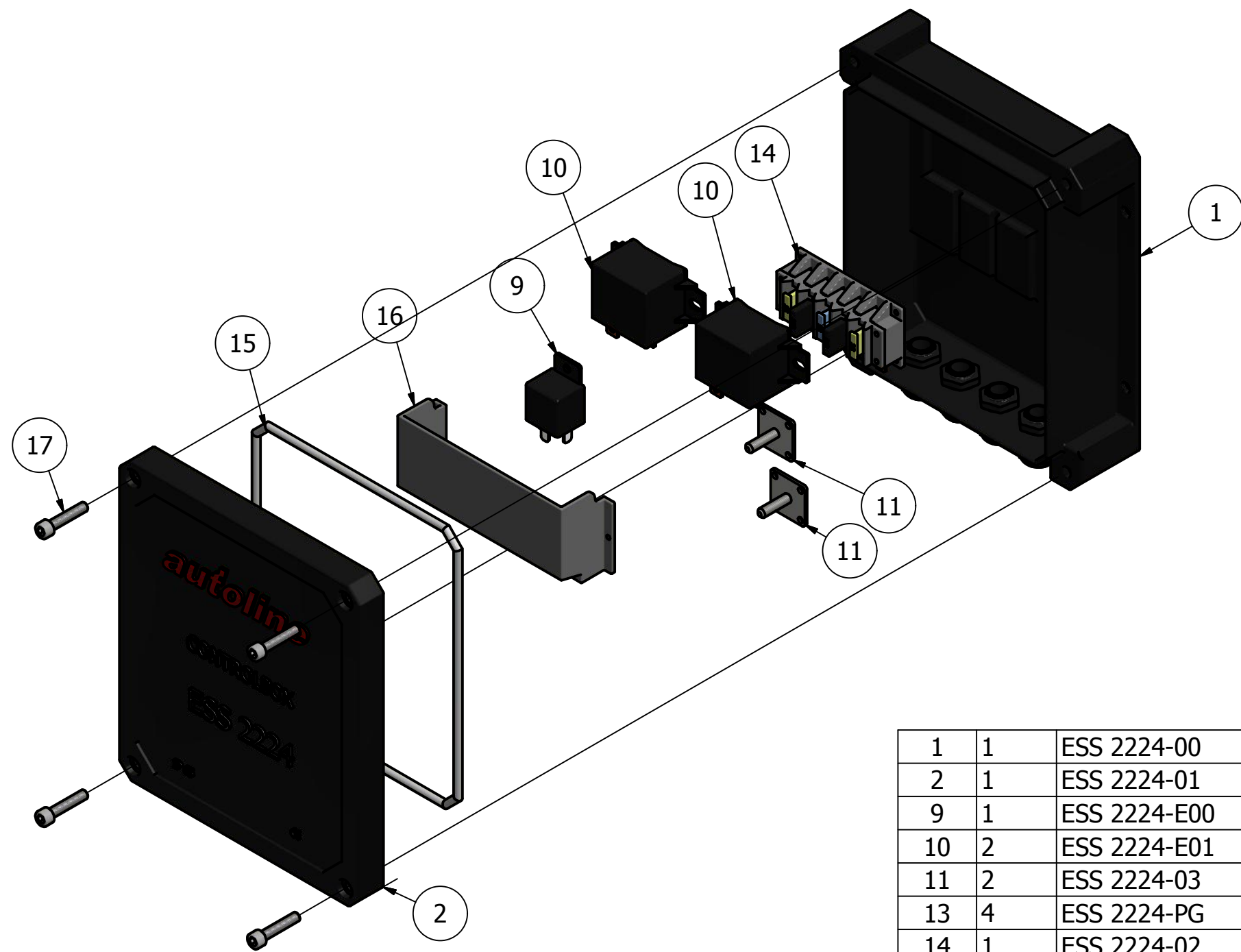


Autoline Revision			
REV	DESCRIPTION	DATE	APPROVED
A	As Printed	20.09.2011	JEB
C	Edit ESS 2224-05 +2 mm	23.09.2011	JEB
D	AS BUILT	29.04.2013	JEB



Designed by borhar	Checked by JEB	Approved by JEB	Date 23.09.2011	Date 01.05.2011
autoline as Box 56- 9476 Borkenes - Norway Mail : safesand@online.no www.autoline.no Tlf. +47 - 77 09 25 00 Fax. +47 - 77 09 24 77			ESS 2224	Edition D
				Sheet 1 / 5



1	1	ESS 2224-00	Main Hull	Thermoplastic Resin
2	1	ESS 2224-01	Box Lid	ABS Plastic
9	1	ESS 2224-E00	Relay	ABS Plastic
10	2	ESS 2224-E01	Aopec Type 728	ABS Plastic
11	2	ESS 2224-03	Cable Connection	Stainless steel
13	4	ESS 2224-PG	PG Niple	ABS Plastic
14	1	ESS 2224-02	Fuse Block	Thermoplastic Resin
15	1	ESS 2224-04	Gasket 5 mm	Rubber
16	1	ESS 2224-05	Cover plate	Thermoplastic Resin
17	4	DIN 912 - M6 x 30	Socket H DIN 912	A4
ITEM	ITEM	PART NUMBER	DESCRIPTION	MATERIAL

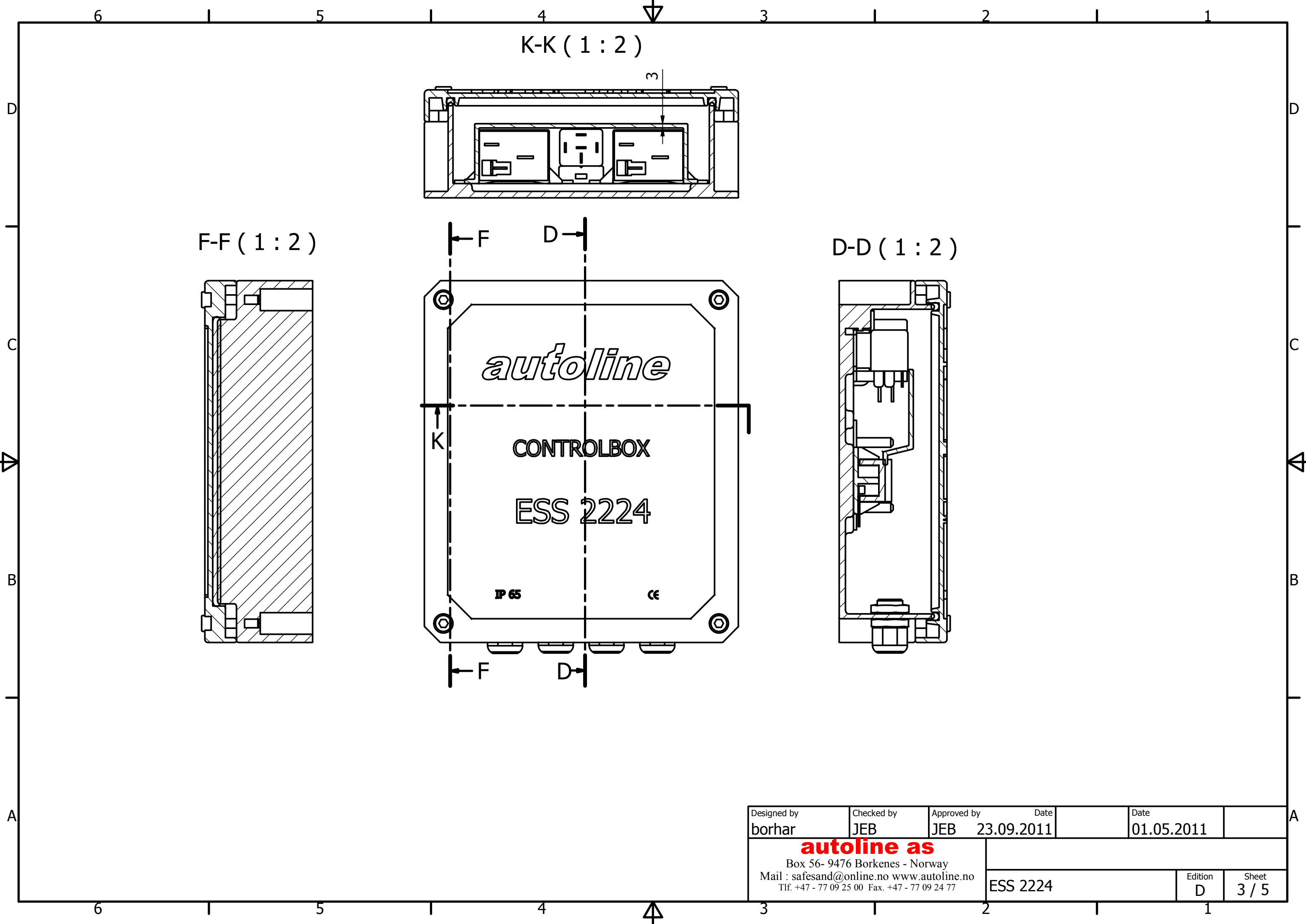
Autoline parts list

Designed by borhar	Checked by JEB	Approved by JEB	Date 23.09.2011	Date 01.05.2011
-----------------------	-------------------	--------------------	--------------------	--------------------

autoline as
 Box 56- 9476 Borkenes - Norway
 Mail : safesand@online.no www.autoline.no
 Tlf. +47 - 77 09 25 00 Fax. +47 - 77 09 24 77

ESS 2224

Edition D	Sheet 2 / 5
--------------	----------------



K-K (1 : 2)

F-F (1 : 2)

D-D (1 : 2)

autoline

CONTROLBOX

ESS 2224

IP 65

CE

Designed by borhar	Checked by JEB	Approved by JEB	Date 23.09.2011	Date 01.05.2011
<p>autoline as Box 56- 9476 Borkenes - Norway Mail : safesand@online.no www.autoline.no Tlf. +47 - 77 09 25 00 Fax. +47 - 77 09 24 77</p>			ESS 2224	Edition D
			Sheet 3 / 5	